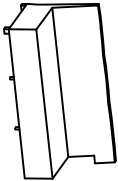
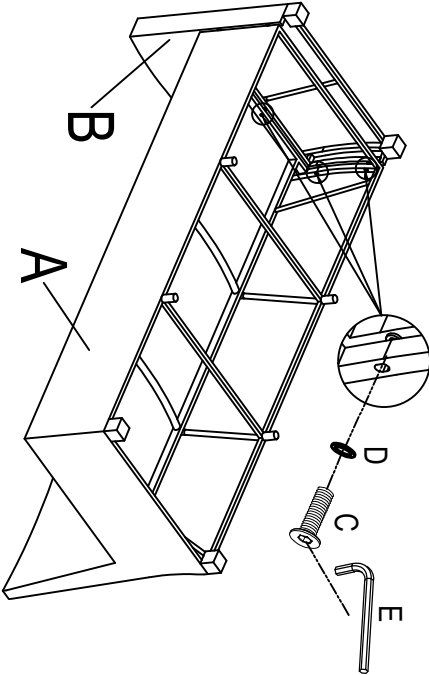
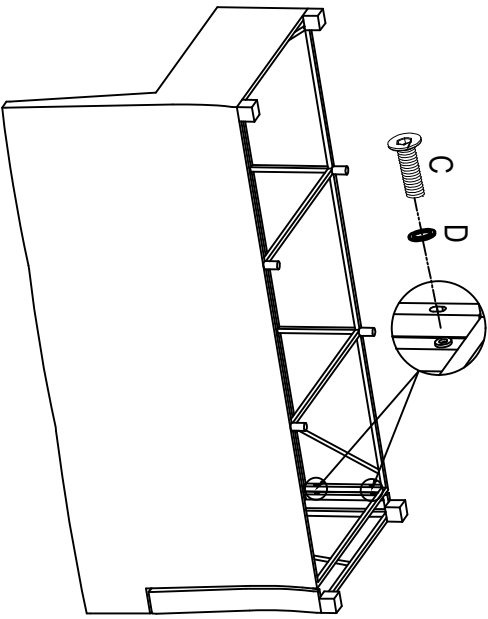
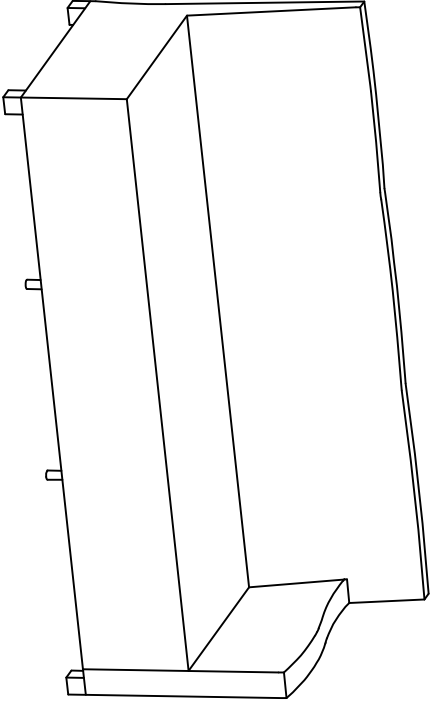


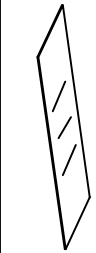
Assembly Instruction

A	1	2
		
B	1	
C	5	
D	5	
E	1	3



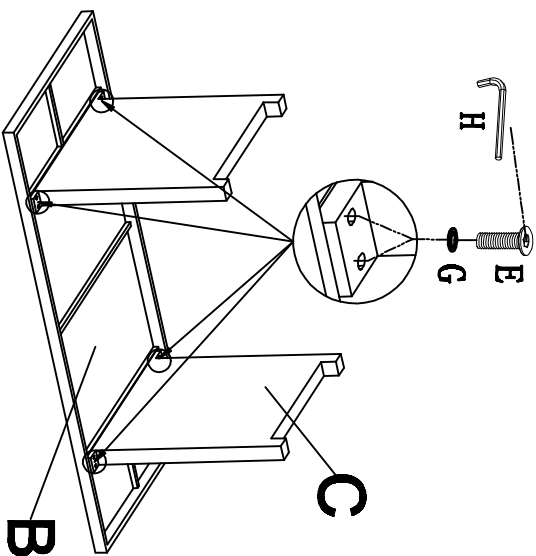
Assembly Instruction

A	1	①
B	1	②
C	2	④
D	1	
E	8	
F	4	
G	12	
H	1	
		③

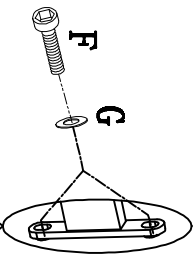
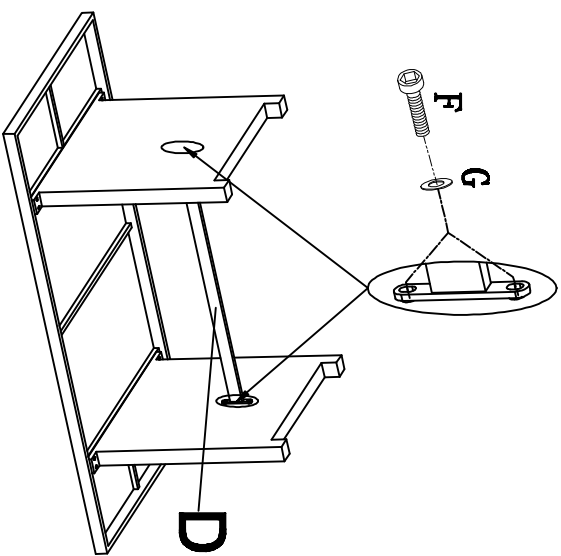


1

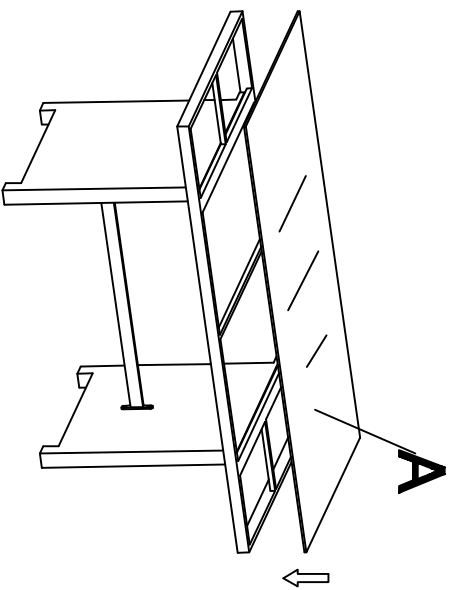
①



②



③



A

④

